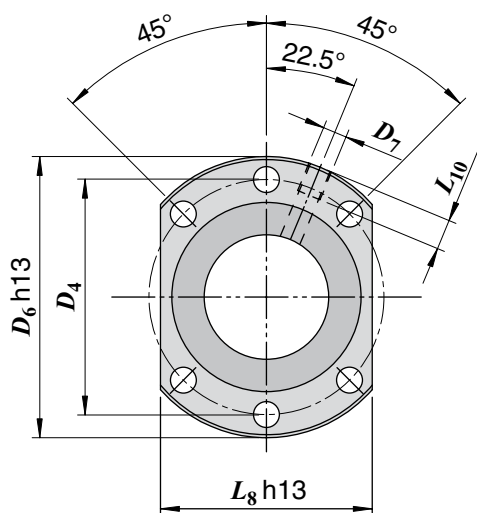
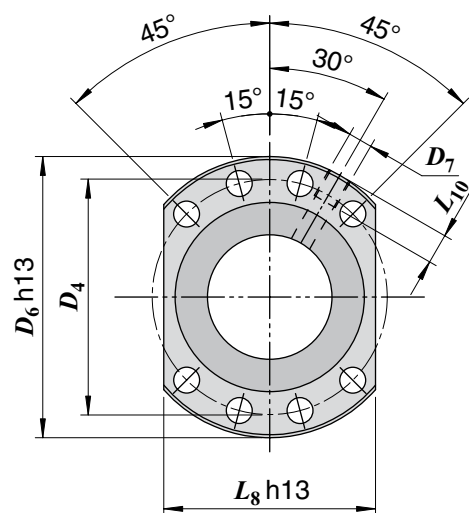


Nut code	Nominal thread diameter		Ball diameter D_w [mm]	Nr of thread starts	Nr of ball circuits	Dynamic load C_a [kN]	Static load C_{0a} [kN]	Stiffness (*) $R_{b/t}$ [N/ μ m]	Flange type	Dimensions [mm]										
	d_0 [mm]	P_h [mm]								D_1	D_4	D_5	D_6	D_7	L_1	L_3	L_7	L_8	L_{10}	L
DFN-D.20.05.4R	20	5	3.175	1	4 + 4	12.9	23.5	770	1	36	47	6.6	58	M6	10	5	10	44	8	90
DFN-D.25.06.4R	25	6	3.969	1	4 + 4	19.3	36.5	900	1	40	51	6.6	62	M6	10	6	10	48	8	104
DFN-D.25.10.3R	25	10	3.969	1	3 + 3	15.6	28.6	670	1	40	51	6.6	62	M6	10	6	10	48	8	121
DFN-D.32.10.4R	32	10	6.350	1	4 + 4	36.3	62	1 060	1	50	65	9	80	M6	16	6	12	62	8	157
DFN-D.32.20.3R	32	20	6.350	1	3 + 3	27.9	45.6	780	1	50	65	9	80	M6	16	6	12	62	8	205
DFN-D.40.10.5R	40	10	6.350	1	5 + 5	52	107	1 710	2	63	78	9	93	M8x1	16	7	14	70	10	186
DFN-D.40.20.3R	40	20	6.350	1	3 + 3	33.4	64	1 030	2	63	78	9	93	M8x1	25	7	14	70	10	209
DFN-D.50.10.5R	50	10	7.144	1	5 + 5	72	163	2 220	2	75	93	11	110	M8x1	16	7	16	85	10	189
DFN-D.50.20.4R	50	20	7.144	1	4 + 4	56	121	1 680	2	75	93	11	110	M8x1	16	7	16	85	10	267
DFN-D.63.10.6R	63	10	7.144	1	6 + 6	93	252	3 230	2	90	108	11	125	M8x1	16	7	18	95	10	212
DFN-D.63.20.4R	63	20	9.525	1	4 + 4	88	191	1 970	2	95	115	13.5	135	M8x1	25	9	20	100	10	277
DFN-D.80.16.4R	80	16	9.525	1	4 + 4	106	270	2 620	2	125	145	13.5	165	M8x1	25	9	25	130	10	244
DFN-D.100.16.4R	100	16	9.525	1	4 + 4	121	363	3 330	2	150	176	17.5	202	M8x1	25	9	30	155	10	249

* - value of stiffness in ball - track contact point determined considering a preload value $F_{pr} = 0.08 \times C_a$



Flange type 1
($d_0 < 40$ mm)



Flange type 2
($d_0 \geq 40$ mm)

