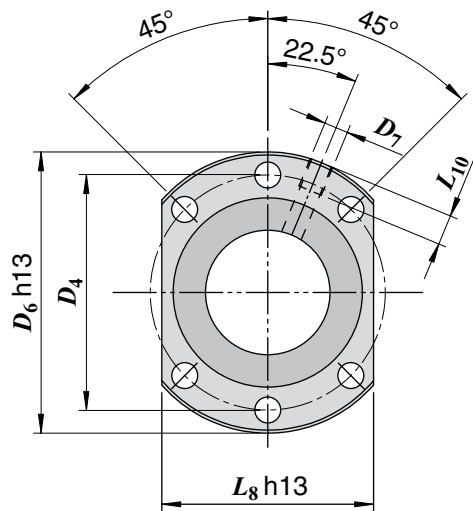
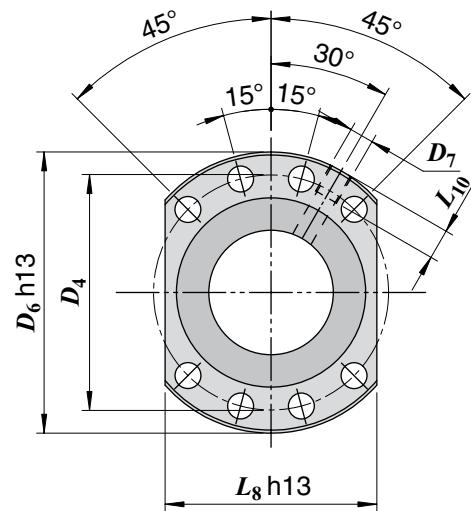


Nut code	Nominal thread diameter	Lead	Ball diameter	Nr of thread starts	Nr of ball circuits	Dynamic load	Static load	Stiffness (*)	Flange type	Dimensions [mm]										
	$d_0$ [mm]	$P_h$ [mm]	$D_w$ [mm]			$C_a$ [kN]	$C_{0a}$ [kN]	$R_{b/t}$ [N/ $\mu$ m]		$D_1$	$D_4$	$D_5$	$D_6$	$D_7$	$L_1$	$L_3$	$L_7$	$L_8$	$L_{10}$	$L$
SFNP-D.20.05.3R	20	5	3.175	1	3 + 3	10.5	18.5	670	1	36	47	6.6	58	M6	10	5	10	44	8	69
SFNP-D.25.06.3R	25	6	3.969	1	3 + 3	15.8	28.9	830	1	40	51	6.6	62	M6	10	6	10	48	8	78
SFNP-D.25.10.2R	25	10	3.969	1	2 + 2	11.1	19.2	560	1	40	51	6.6	62	M6	10	6	10	48	8	84
SFNP-D.32.10.3R	32	10	6.350	1	3 + 3	29.8	50	930	1	50	65	9	80	M6	16	6	12	62	8	119
SFNP-D.40.10.3R	40	10	6.350	1	3 + 3	35.2	69	1 210	2	63	78	9	93	M8x1	16	7	14	70	10	122
SFNP-D.40.20.2R	40	20	6.350	1	2 + 2	25.7	48.9	850	2	63	78	9	93	M8x1	25	7	14	70	10	145
SFNP-D.50.10.4R	50	10	7.144	1	4 + 4	62	141	2 080	2	75	93	11	110	M8x1	16	7	16	85	10	146
SFNP-D.50.20.2R	50	20	7.144	1	2 + 2	32.5	67	1 010	2	75	93	11	110	M8x1	16	7	16	85	10	152
SFNP-D.63.10.4R	63	10	7.144	1	4 + 4	69	182	1 540	2	90	108	11	125	M8x1	16	7	18	95	10	148
SFNP-D.63.20.2R	63	20	9.525	1	2 + 2	51	104	1 191	2	95	115	13.5	135	M8x1	25	9	20	100	10	165

\* - value of stiffness in ball - track contact point determined considering a preload value  $F_{pr} = 0.08 \times C_a$



**Flange type 1**  
( $d_0 < 40$  mm)



**Flange type 2**  
( $d_0 \geq 40$  mm)

